

Fire Alarm Control Panel BS-200M

Autroprime interactive fire detection system
Product datasheet

Features

- SelfVerify-function for automatic testing of detectors
- Automatic setup
- Automatic addressing of detectors
- Four loops
- Built in changeover for primary/emergency mains power
- USB for data transfer to/from memory stick.
- User-friendly display and operator controls
- Back-lit operating buttons. Text display suitable for nighttime operation
- Surface mounting. The integrated panel can be mounted separately in a 19" rack or console
- Designed to meet EN 54 and SOLAS requirements, MED ("wheel-mark") and CPD certified
- Complies with environmental conditions of IEC-721-3-3 class 3k5
- Output to VDR and Modbus
- Printed "Getting started" manual included

Applications/Description

The BS-200M is an integrated Fire Alarm Control Panel for small-to-medium-sized installations. The panel is specifically designed for use in maritime applications and meets the SOLAS requirements. The panel serves as a stand-alone panel. A maximum of 8 additional panels can be freely mixed and connected to the Fire Alarm Control Panel via the RS-485 Panel Bus, including Repeater Panels BS-211, Information Panels BV-210, Fire Brigade Panels BU-210 and Mimic Drivers BUR-200.

All alarm handling and system features can be configured, controlled and monitored from the panel.

The panel can accommodate up to a maximum of four detection loops. The loops support most of AutoSafe detectors, several types of I/O devices for monitored outputs, open collector outputs, galvanic isolated inputs and monitored inputs. It has a 5A power module for battery charging.

The panel is menu operated on a 8-line display, with 40 characters per line.

The Operator Panel (BS-210), which is an integrated part of the BS-200M panel, can also be mounted separately outside the cabinet.

Indicators

- 8 x 40-character alphanumeric display
- Alarm, More Alarms, Pre-Alarm, Remote Call, Remote Call Response, Fault, Disabled Function, Supervisory Condition, Test Condition, System Fault, Power, Delayed Activation, Annunciator Fault, Remote Call Fault, Annunciator Disabled, Remote Call Disabled
- Internal buzzer



Operator Controls

- More Events, Mute, Silence, Reset, Block, Activate Outputs
- Keypad with alphanumeric characters and navigational functions (Cancel/Back, Enter, directional keys (arrow up/down and left/right), Function and Select (MultiSelect) key
- Back-lit buttons and text
- Fireman's key

Capacity, maximum number of:	
Detection loops per fire alarm control panel	4
Loop units per detection loop	127
Loop units per branch on a detection loop	32
Loop sounders per detection loop	40
Fire Brigade/Information/Repeater Panels and Mimic Drivers per fire alarm control panel	8
Serial ports	1
Ethernet	1
USB host ports	2
Languages supported	15
Relay outputs	2
Monitored outputs (24 V)	2
Non-monitored outputs (OC)	2
Inputs	4



Technical specifications	
Dimensions (mm)	420 x 346 x 140
Weight	9 kg (excluding batteries)
Materials	Steel cabinet, ABS/PC moulded front
Mounting	Surface, flush or rack mounting
Protection class	IEC-529 / IP32
Operating temperature	-15°C to +70°C
Storage temperature	-40°C to +70°C
Humidity	0 to 95% non-condensing
Power supply	110/230 VAC, +10% / -15% 3,2A/1,6A, Frequency: 50/60Hz
Current consumption	250mA at 115/230 VDC
Loops	4
Capacity – loop units	127 per loop
Batteries	2 x 12V = 24V (not included)
Communication	Built-in TCP/IP (Ethernet) for Modbus, Serial Port

Part number	Description
116-71211548	BS-200M Fire Alarm Panel, 110VAC / 230VAC
116-71211549	BS-200M Fire Alarm Panel, 230VAC
116-71211550	BS-200M Fire Alarm Panel, 110VAC

Factory set outputs:

(For functionality/configuration setup, see “Getting started” manual ch. 7)

- Relay no. 1: Activated at alarm / Off at Reset
- Relay no. 2: Activated at fault / Off at Reset
- Mon. output 1 and 2: Activated at alarm / 2 min. delay / Off at Silence

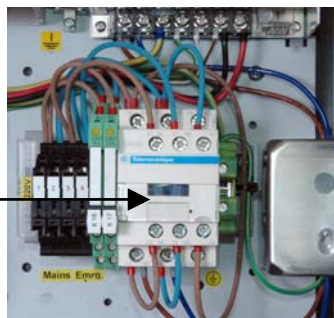
Additional outputs/inputs (no factory setting):

(For functionality/configuration setup, see “Getting started” manual ch. 7)

- Non-monitored outputs 1 and 2
- Monitored inputs 1 and 2
- Non-monitored inputs 1 and 2

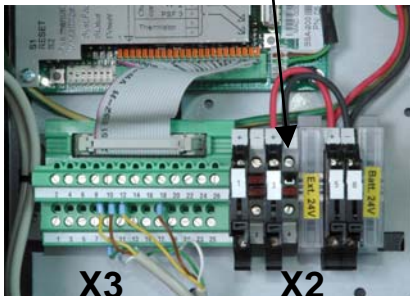
Connections

116-71211549 (230VAC) and
116-71211550 (110VAC)



X1

X1	Description
1	Mains 110/230 VAC
2	Mains 110/230 VAC
3	Emergency 110/230 VAC
4	Emergency 110/230 VAC
5	Earth
K15	Change-over Relay
K16	Mains Fault
K17	Emergency Fault



X3

X2

X2	Description
1	External 24V +
2	External 24V -
3	External 24V +
4	External 24V -
5	Battery 24V +
6	Battery 24V -

AUTRONICA FIRE AND SECURITY AS

Head office, Trondheim, NO-7483 Norway Tel: +47 73 58 25 00, fax: +47 73 58 25 01, e-mail: info@autronicafire.no
 Oil and Gas division, Stavanger, Norway Tel: +47 51 84 09 00, fax: +47 51 84 09 99
 Maritime division, Spikkestad, Norway Tel: +47 31 29 55 00, fax: +47 31 29 55 01